



urban range

retail display system



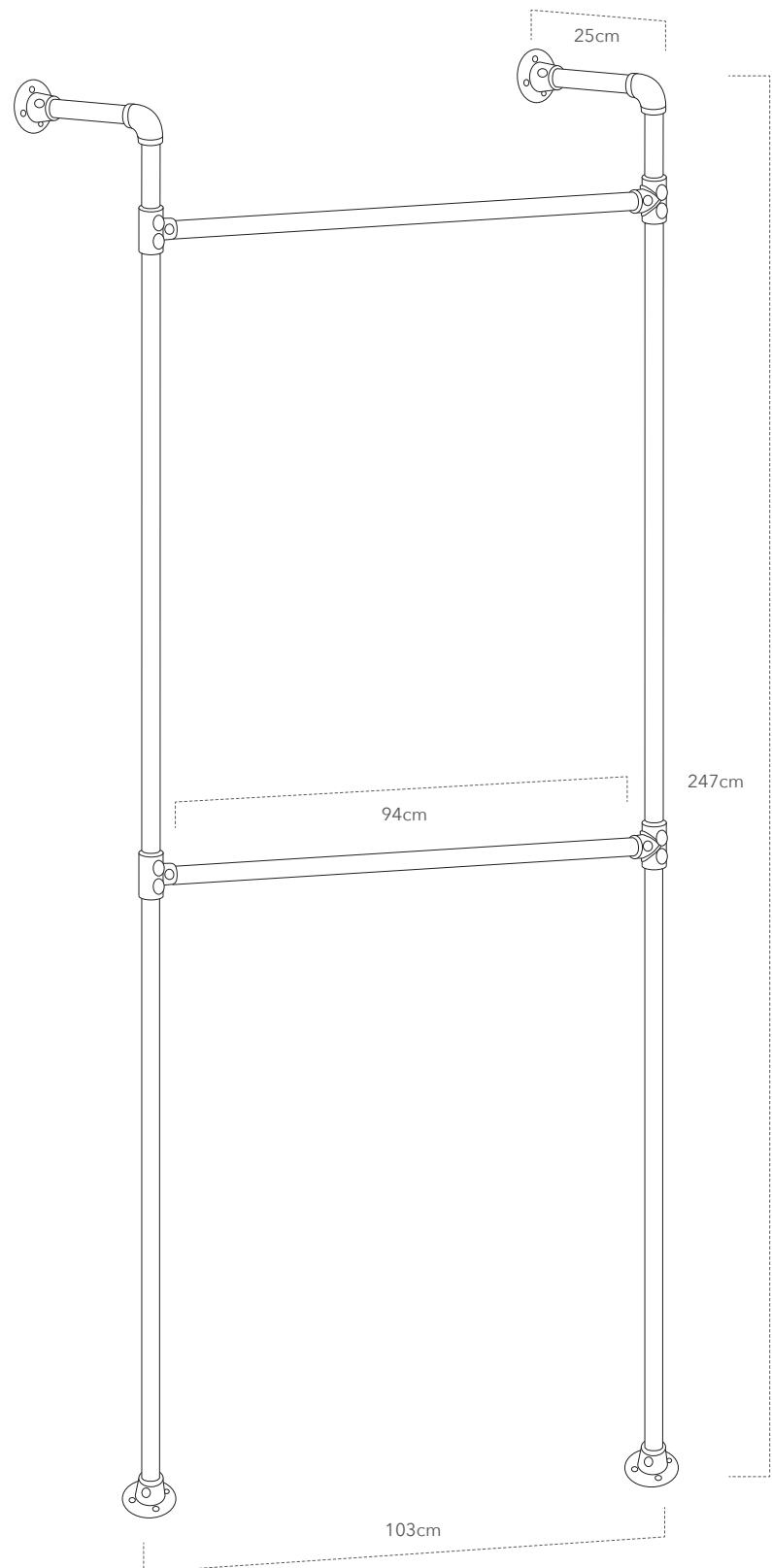
 morplan.com

 0330 44 55 666

 London 020 7636 1887
Bristol 0117 964 3883
Glasgow 0141 429 0537
Birmingham 0121 333 1390

urban hanging bay kit

F45825

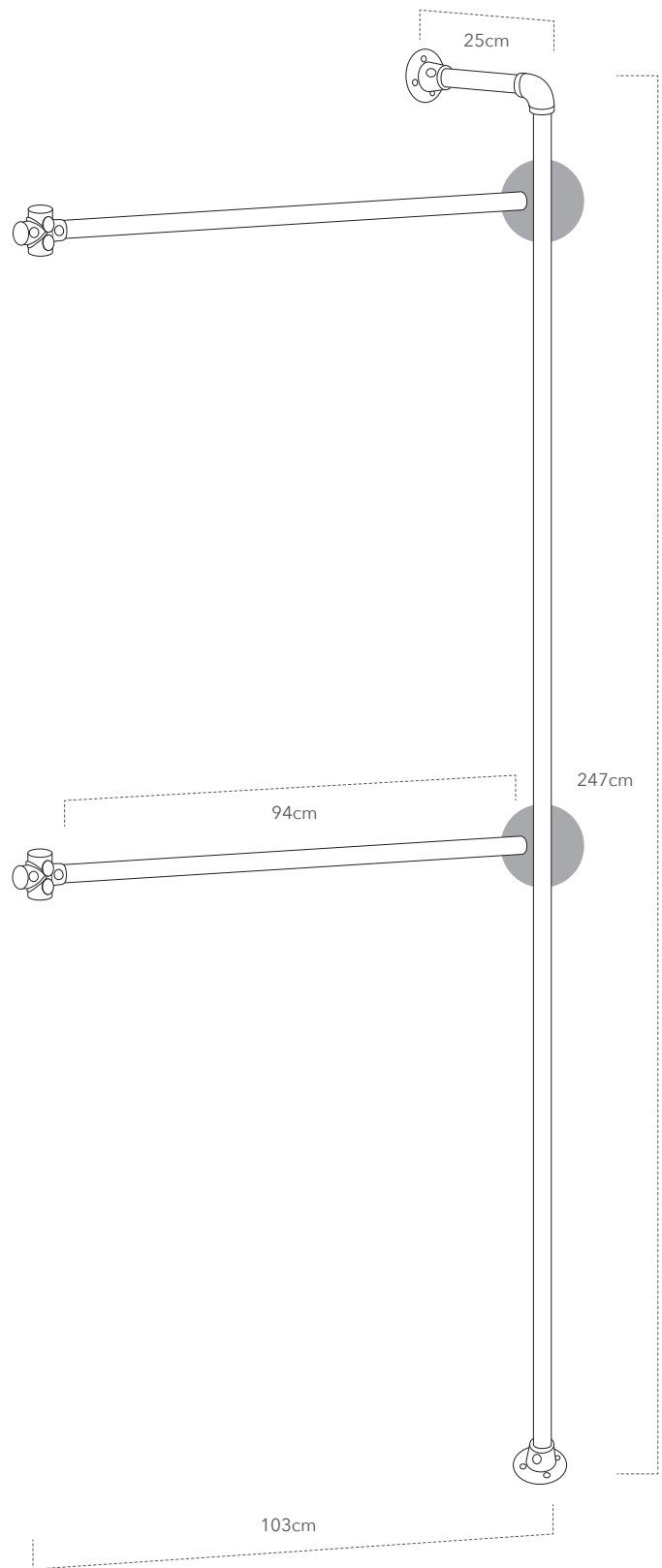


HANGING BAY

45819	Wall & Floor Connector	x4
45815	2-Way Elbow Joint	x2
45812	3-Way Connector	x4
45824	Tubing (Cut to 22cm)	x2
45824	Tubing (Cut to 90cm)	x2
45824	Tubing (Cut to 240cm)	x2

urban hanging bay extension kit

F46102

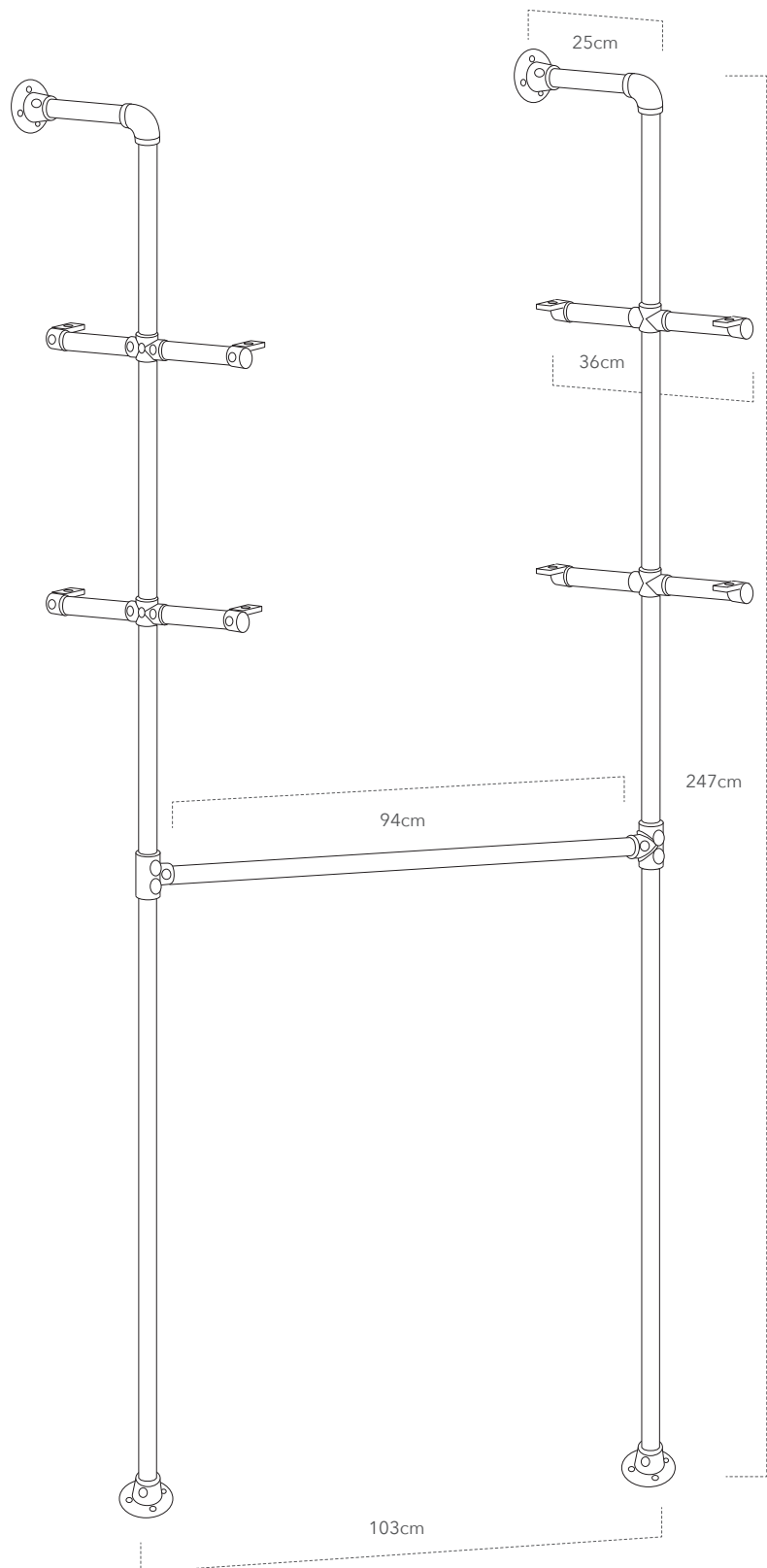


HANGING BAY EXTENSION		
45819	Wall & Floor Connector	x4
45815	2-Way Elbow Joint	x2
45818	4-Way Connector	x2
45824	Tubing (Cut to 22cm)	x1
45824	Tubing (Cut to 90cm)	x2
45824	Tubing (Cut to 240cm)	x1

●	Connector comes from main Hanging Bay Kit F45825
---	--

urban combination bay kit

F45831



COMBINATION BAY

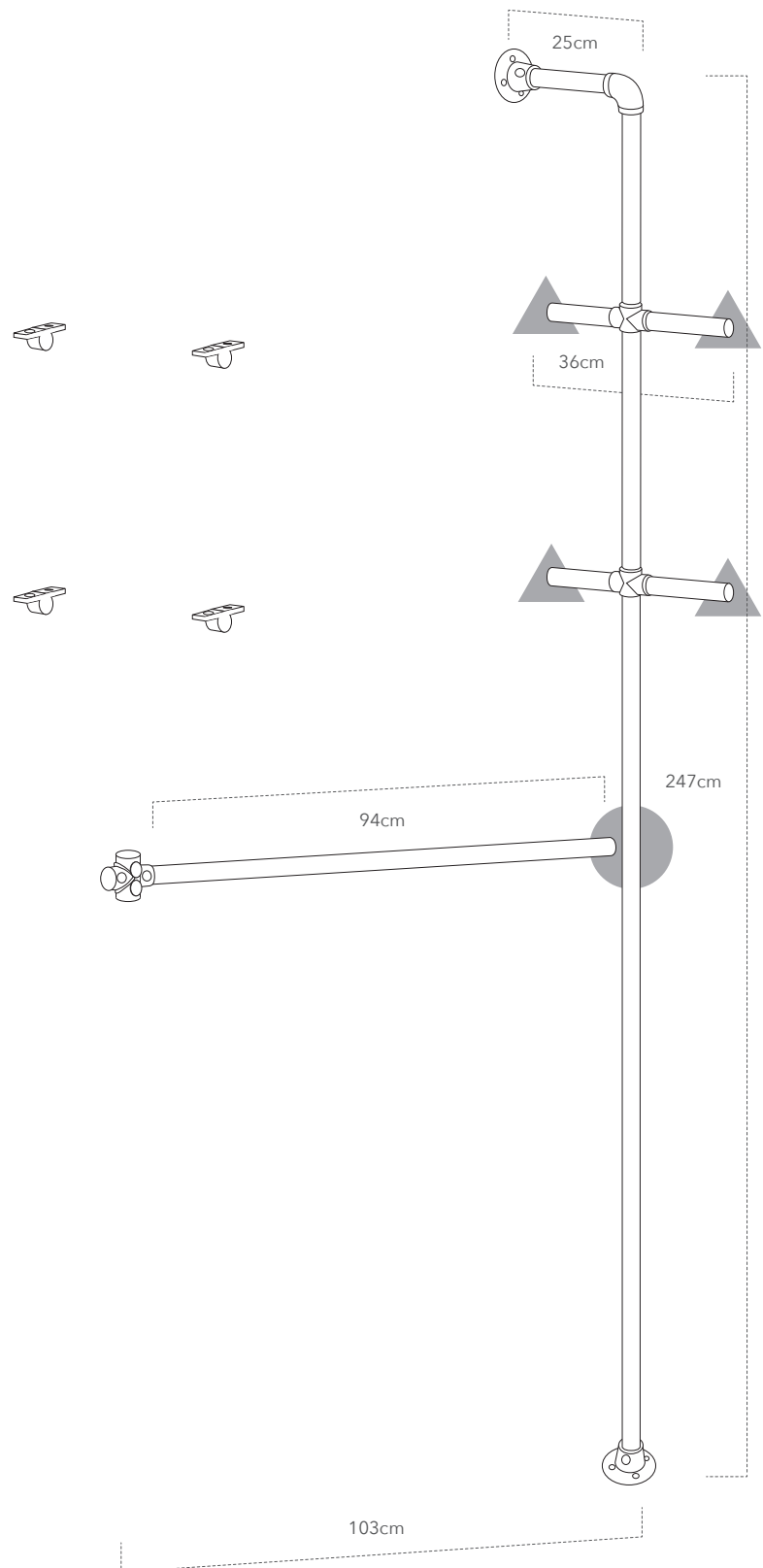
45819	Wall & Floor Connector	x4
45815	2-Way Elbow Joint	x2
45818	4-Way Connector	x4
45823	Single Shelf Bracket	x8
45812	3-Way Connector	x2
45824	Tubing (Cut to 22cm)	x2
45824	Tubing (Cut to 90cm)	x2
45824	Tubing (Cut to 240cm)	x2
45824	Tubing (Cut to 15cm)	x8

notes

- Main bay kits and extension bays fit 90cm shelves only
- Wall to back edge of shelf is 30cm

urban combination bay extension kit

F46104



COMBINATION BAY EXTENSION		
45819	Wall & Floor Connector	x2
45815	2-Way Elbow Joint	x1
45818	4-Way Connector	x3
45822	Double Shelf Bracket	x4
45824	Tubing (Cut to 22cm)	x1
45824	Tubing (Cut to 90cm)	x1
45824	Tubing (Cut to 240cm)	x1
45824	Tubing (Cut to 15cm)	x4

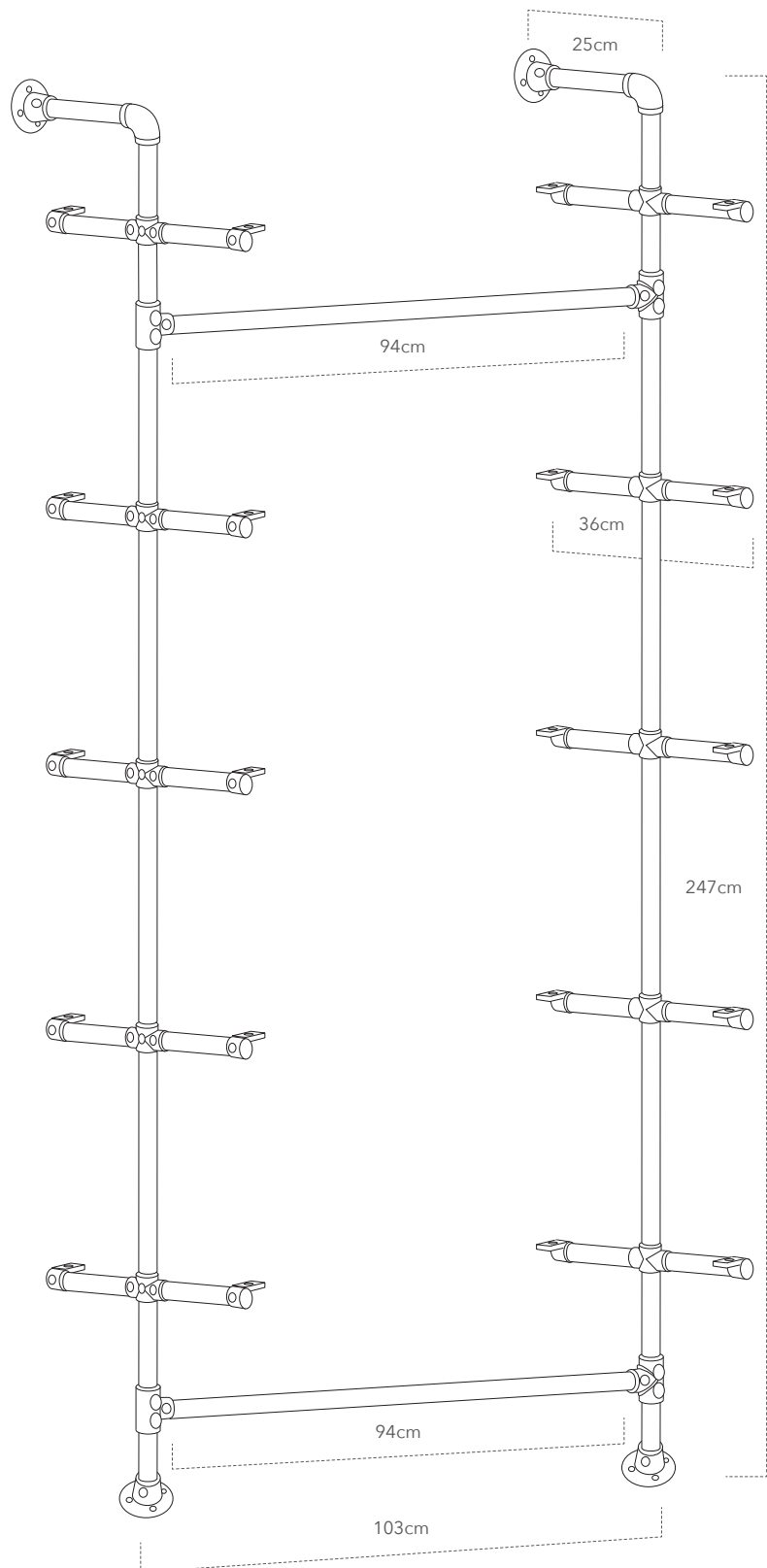
●	Connector comes from main combination bay kit F45831
▲	Shelf brackets come from main combination bay kit F45831

notes

- Wall to back edge of shelf is 30cm

urban shelf bay kit

F45828



SHELF BAY

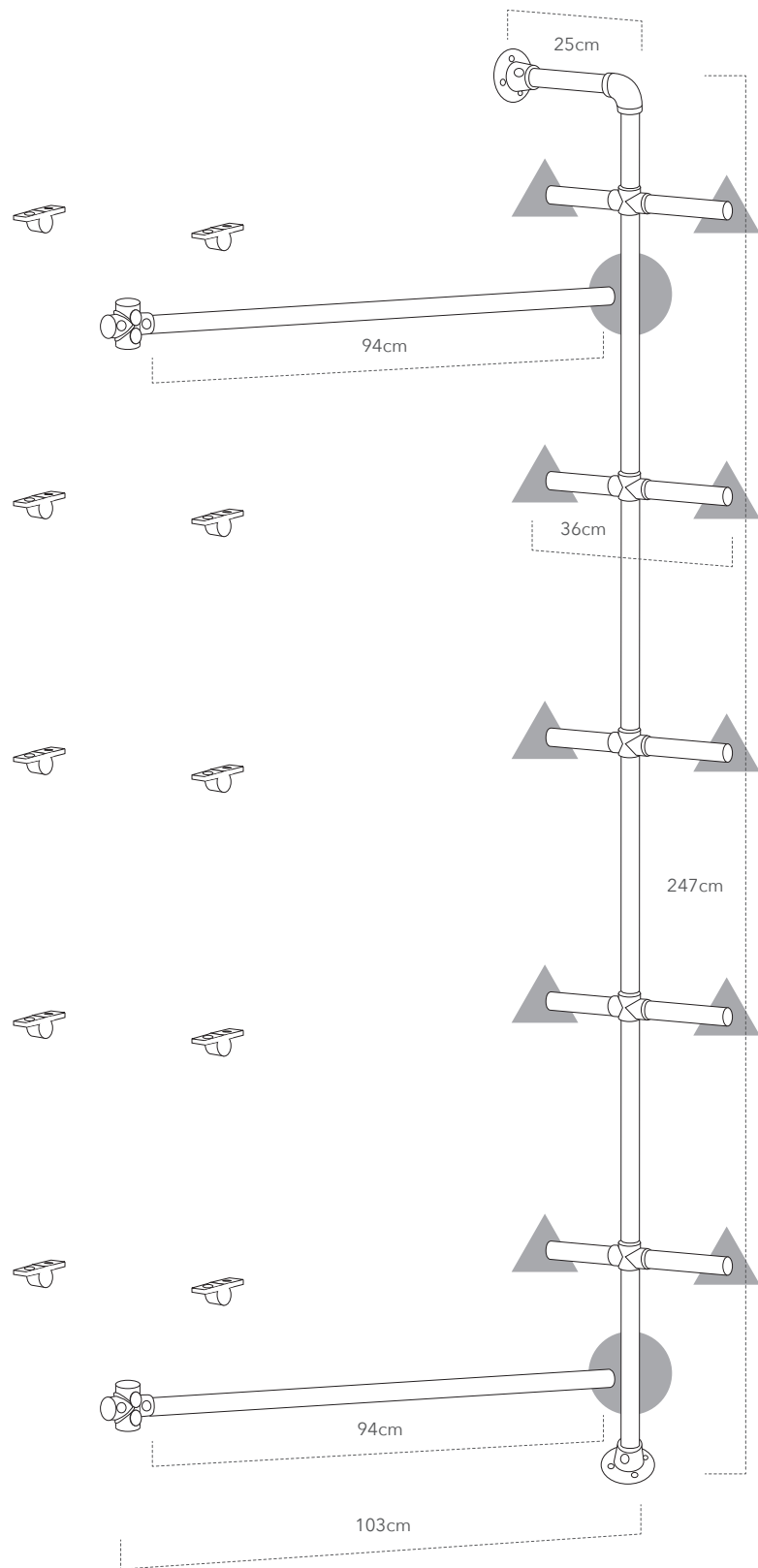
45819	Wall & Floor Connector	x4
45815	2-Way Elbow Joint	x2
45818	4-Way Connector	x10
45823	Single Shelf Bracket	x20
45812	3-Way Connector	x4
45824	Tubing (Cut to 22cm)	x2
45824	Tubing (Cut to 90cm)	x2
45824	Tubing (Cut to 240cm)	x2
45824	Tubing (Cut to 15cm)	x20

notes

- Main bay kits and extension bays fit 90cm shelves only
- Wall to back edge of shelf is 30cm

urban shelf bay extension kit

45830



SHELF BAY EXTENSION

45819	Wall & Floor Connector	x2
45815	2-Way Elbow Joint	x1
45818	4-Way Connector	x7
45822	Double Shelf Bracket	x10
45824	Tubing (Cut to 22cm)	x1
45824	Tubing (Cut to 90cm)	x2
45824	Tubing (Cut to 240cm)	x1
45824	Tubing (Cut to 15cm)	x10

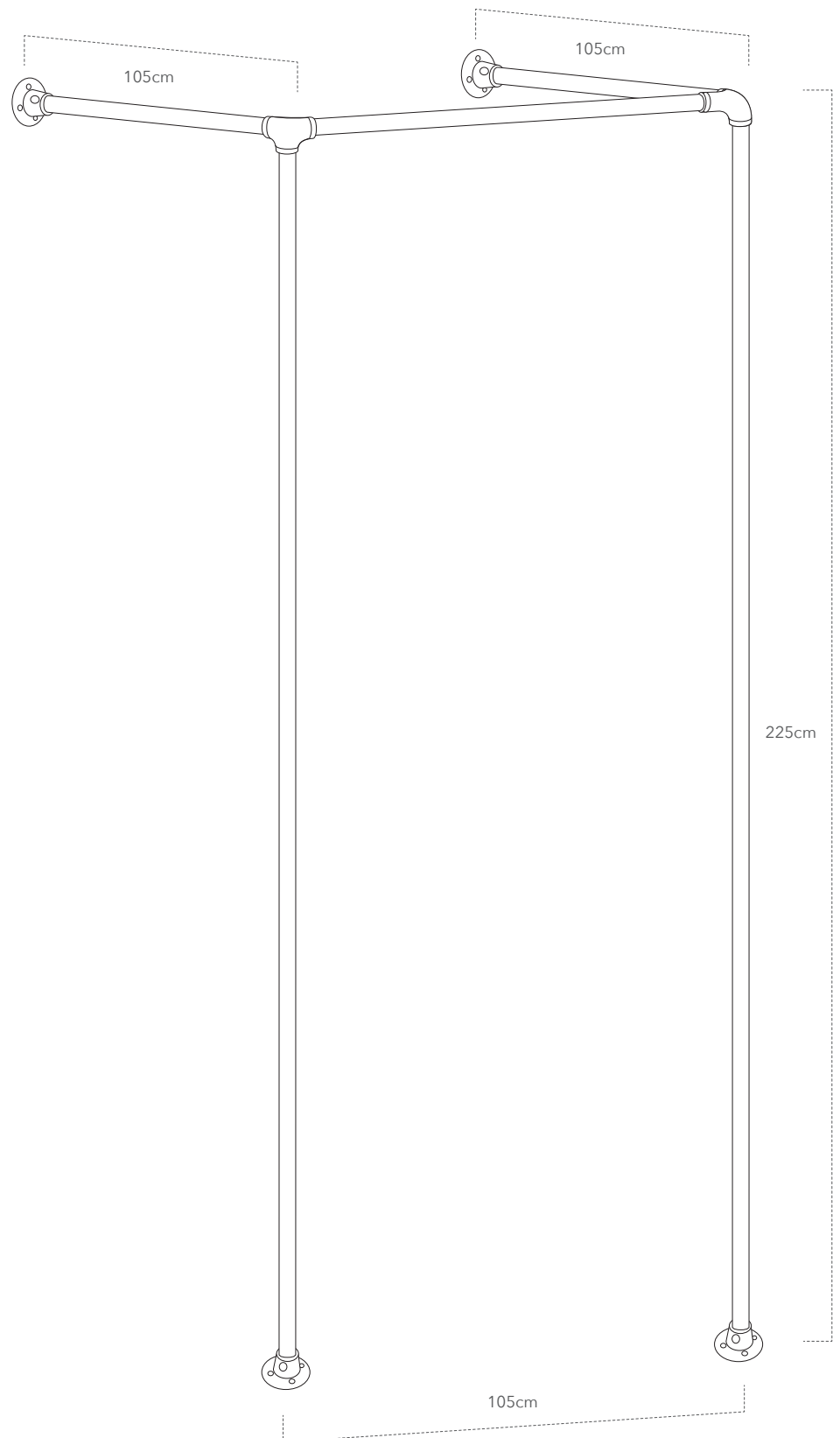
●	Connector comes from main shelf bay kit F45828
▲	Shelf brackets comes from main shelf bay kit F45828

notes

- Main bay kits and extension bays fit 90cm shelves only
- Wall to back edge of shelf is 30cm

urban changing room kit

F45834

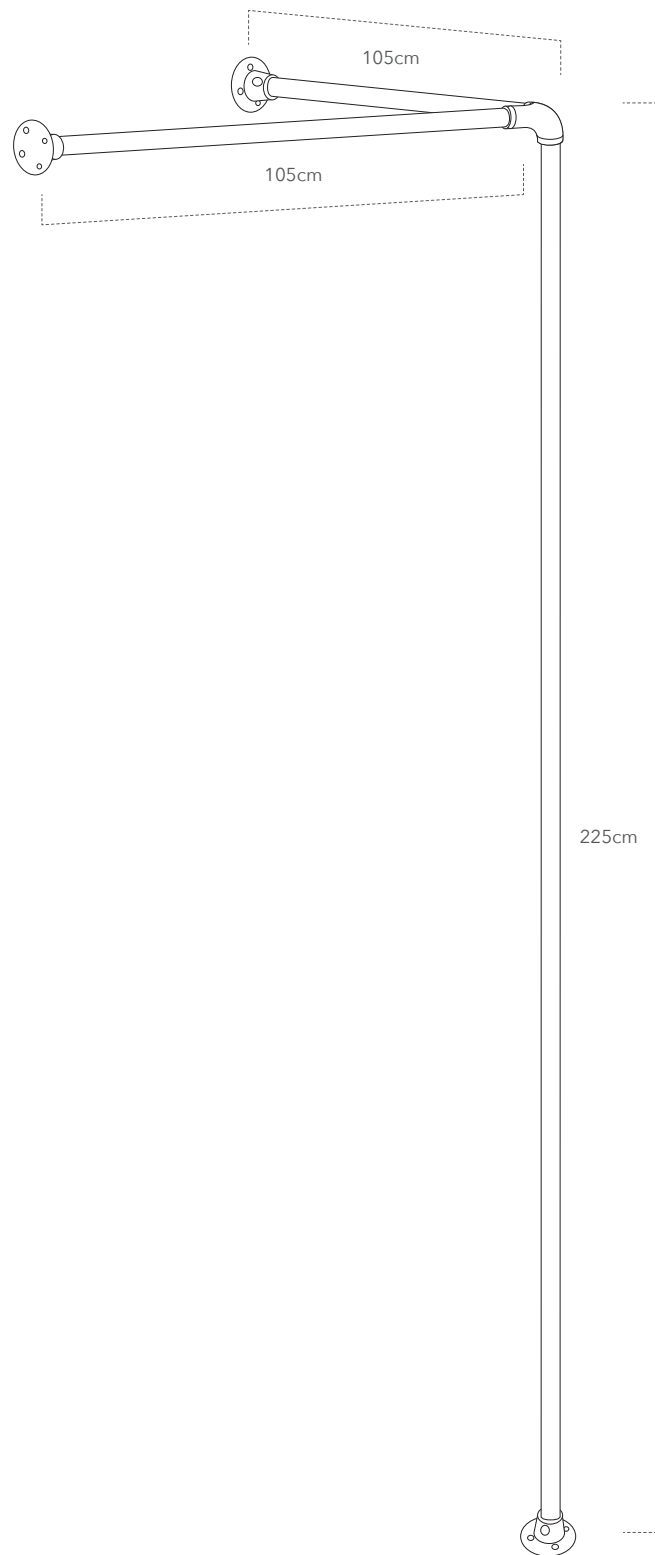


CHANGING ROOM

45819	Wall & Floor Connector	x4
45816	3-Way Elbow Joint	x2
45824	Tubing (Cut to 100cm)	x3
45824	Tubing (Cut to 220cm)	x2

urban corner changing room kit

F45835

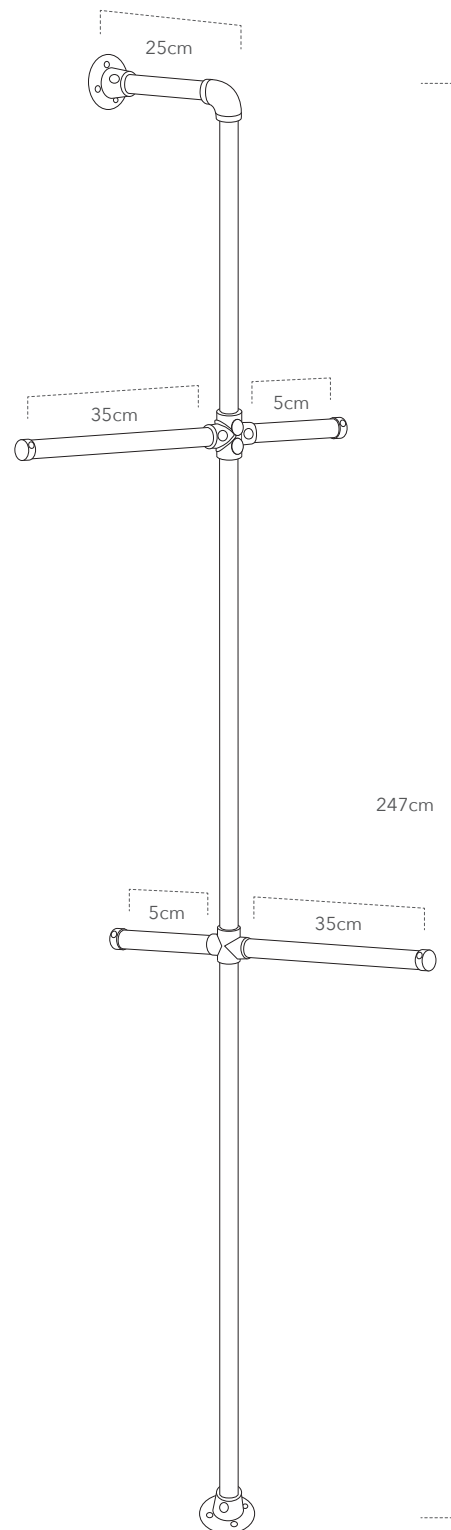


CORNER CHANGING ROOM

45819 Wall & Floor Connetctor	x3
45816 3-Way Elbow Joint	x1
45824 Tubing (Cut to 100cm)	x1
45824 Tubing (Cut to 220cm)	x2

urban totem kit

F45826

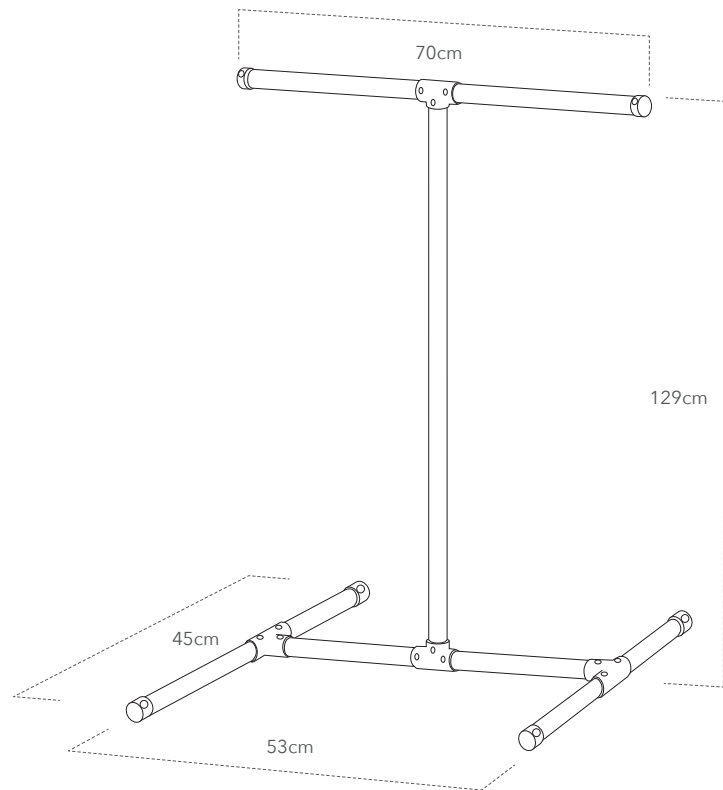


TOTEM

45819	Wall & Floor Connector	x2
45815	2-Way Elbow Joint	x1
45818	4-Way Connector	x2
45821	Locking Collar	x4
45824	Tubing (Cut to 22cm)	x1
45824	Tubing (Cut to 40cm)	x2
45824	Tubing (Cut to 10cm)	x2
45824	Tubing (Cut to 240cm)	x1

urban merchandiser

F45827

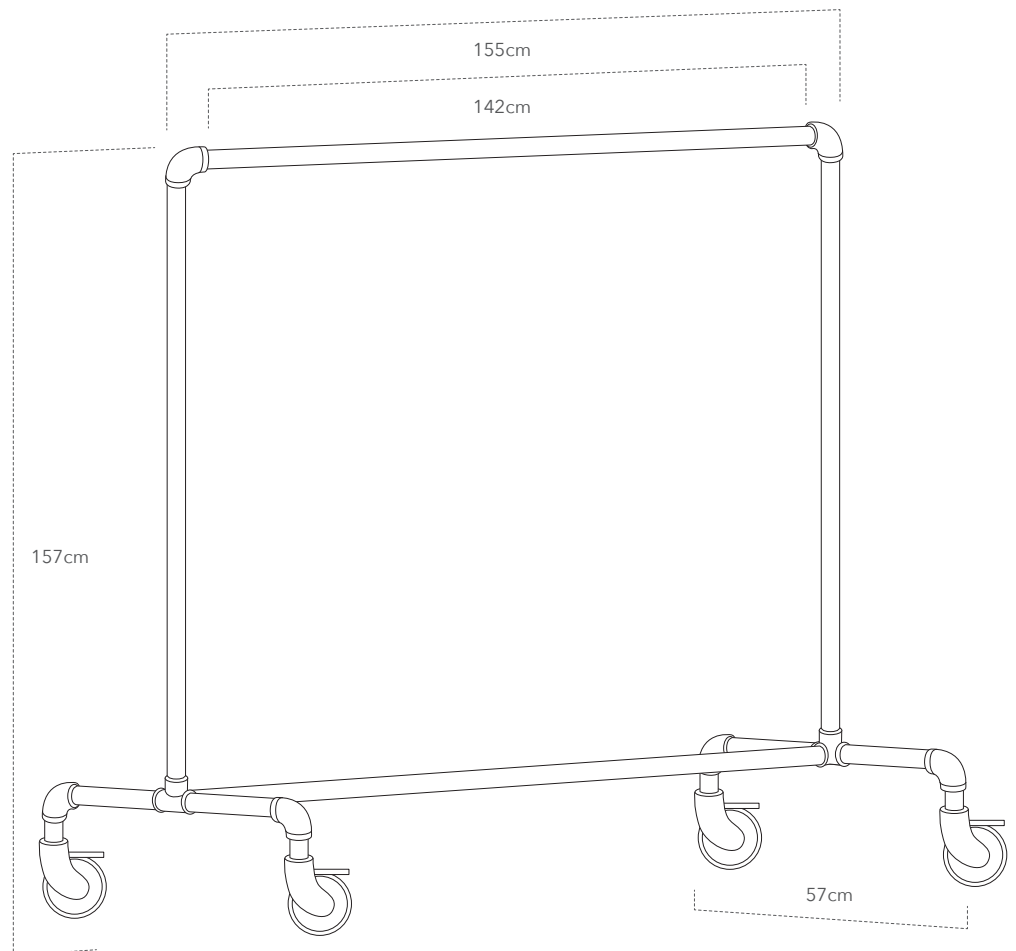


MERCHANDISER

45812 3-Way Connector	x4
45821 Locking Collar	x6
45824 Tubing (Cut to 65cm)	x2
45824 Tubing (Cut to 120cm)	x1
45824 Tubing (Cut to 48cm)	x2
45824 Tubing (Cut to 40cm)	x2

urban garment rail

F45829



GARMENT RAIL		
45815	2-Way Elbow Joint	x6
45813	4-Way Joint	x2
45809	Braked Castors	x4
45824	Tubing (Cut to 152cm)	x1
45824	Tubing (Cut to 145cm)	x2
45824	Tubing (Cut to 152cm)	x1
45824	Tubing (Cut to 50cm)	x4

urban retail display

accessories

extend existing urban kits or
start from scratch with your own
custom-built retail system

Below is a comprehensive range of connectors
for building rails, racks and shelving units that
can be used free-standing or wall mounted.
Generous 3m tubes can be cut to size.

		
	45824 3m Tubing	45842 End Cap
		
45823 Single Shelf Bracket	45822 Double Shelf Bracket	45821 Locking Collar
		
45815 2-Way Elbow Joint	45816 3-Way Elbow Joint	45813 4-Way Joint
		
45815 2-Way Connector	45812 3-Way Connector	45814 4-Way Cross Connector
		
45818 5-Way Connector	45817 6-Way Connector	45820 Floor Connector
		
45819 Wall & Floor Connector	45808 Adjustable Foot Set (x4)	45809 Braked Castor Set (x4)

urban retail display

how-to-buy guide

see below on how to combine the various kits we offer

Infinite combinations are available by choosing from our components list to build your exact requirements. Why not buy extra components to customise one of our kits?

YOU WANT ONE OF THESE

	F45825 Hanging Bay Kit	F45831 Combination Bay Kit	F45828 Shelf Bay Kit
YOU WANT TO ADD ONE OF THESE			
F46102 Hanging Bay Extension Kit	✓	Buy 2x 3-Way Connector 45812	Buy 2x 3-Way Connector 45812
F46104 Combination Bay Extension Kit	Buy 4x Single Shelf Bracket 45823 (to replace double brackets)	✓	Buy 2x 3-Way Connector 45812
F45830 Shelf Bay Extension Kit	Buy 2x 3-Way Connector 45812 Buy 10x Single Shelf Bracket 45823 (to replace double brackets)	Buy 4x 3-Way Connector 45812 Buy 6x Single Shelf Bracket 45823 (to replace double brackets)	✓

notes

- If you want to change the position of any of the cross rails in joining bays so that they are not level with each other, you will need to buy extra 3-Way Connectors (45812) or 4-Way Connectors (45814)
- The bays measure 100cm wide. Therefore any shelves used will need to be 90cm only
- The bay depth is 30cm on all combinations